

Specification Status: RELEASED

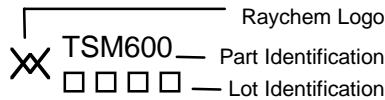
Max Electrical Rating at 20°C

Operating Voltage: 250V_{DC}
Interrupt Current: 3A_{RMS}

Fault Voltage: 600V_{RMS}

Lead Material: Tin plated brass
Configuration: Two PPTC devices per TSM600 part
Case Material: Nylon Resin (UL94 V-0)
1000V dielectric rating

Marking:



Terminal Description:

T1 = Tip In T4 = Tip Out
R2 = Ring In R3 = Ring Out

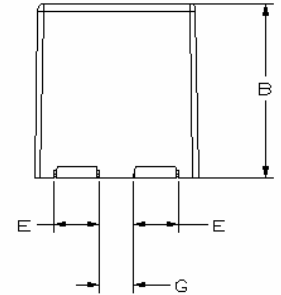
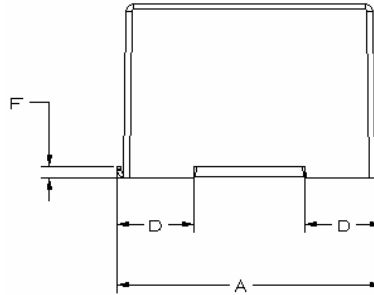
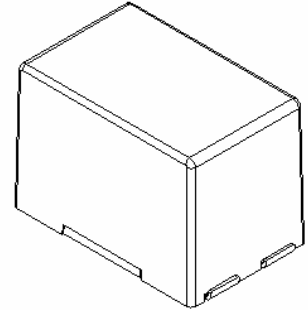


TABLE I. DIMENSIONS:

	A		B		C		D		E		F		G	
mm:	MIN	MAX	MIN	MAX	MIN	MAX	MIN	MAX	MIN	MAX	MIN	MAX	MIN	MAX
in:	(0.671)	(0.691)	(0.440)	(0.460)	(0.410)	(0.440)	(0.187)	(0.203)	(0.099)	(0.111)	(0.022)	(0.038)	(0.087)	(0.122)

TABLE II. PERFORMANCE RATINGS @ 20°C (unless otherwise noted):

I HOLD (A)		RESISTANCE (Ω)** @ 20° C			TIME TO TRIP @ 3 A (Seconds)		OPERATING TEMPERATURE (°C)		Tripped state Power Dissipation @ 250V (Watts) TYPICAL
20°C	60°C	R MIN	R TYP	R _{1 MAX} *	TYP	MAX	MIN	MAX	
0.250	0.140	1.0	3.5	7.0	0.8	6	-40	85	2

* Maximum device resistance, measured 1-hour post reflow or post trip.

** Resistance per PPTC device.

Additional Ratings @ 20°C

Resistance Matched: 0.5 Ohm measured 24 hours after reflow installation Storage Temperature: -40° to 85° C

Line Balance: 0.5 Ohm, 59 dB @ 4 kHz minimum*** Storage Humidity: Per IPC/JEDEC J-STD-020A Level 2a

***Tested in accordance with IEEE 455 with a device having a series longitudinal balance value of at least 60dB

Agency Recognitions: UL, CSA
Reference Documents: PS300
Precedence: This specification takes precedence over documents referenced herein.
Effectivity: Reference documents shall be the issue in effect on the date of invitation for bid.

MATERIALS INFORMATION

ROHS Compliant

ELV Compliant

Pb-Free

Directive 2002/95/EC
Compliant

Directive 2000/53/EC
Compliant

